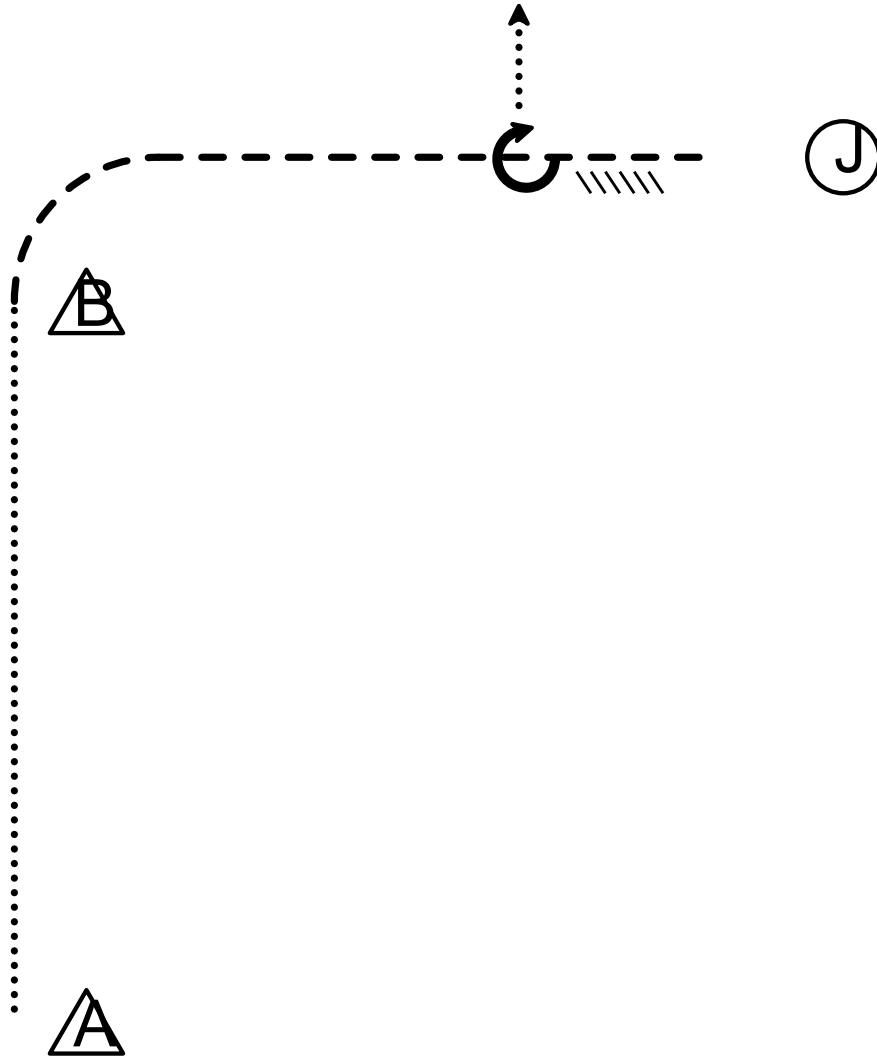


Showmanship

Show: Summa In The Hamptons
Date: Aug 12, 2023

Age Divisions

- 41. All Breed Youth W/T
- 44. Youth W/T 11-18
- 42. All Breed Adult W/T
- 43. Youth W/T 5-10



Be ready at A.

1. Walk from A to B.
2. Trot from B to the judge.
3. Stop and set up for inspection.
4. When dismissed, back approximately one horse length
5. Perform a 270°, turn and walk straight away.

At completion of pattern, follow instructions of ring steward

Generated from Equiscribe for iOS
Scan the code to see your results as they are posted



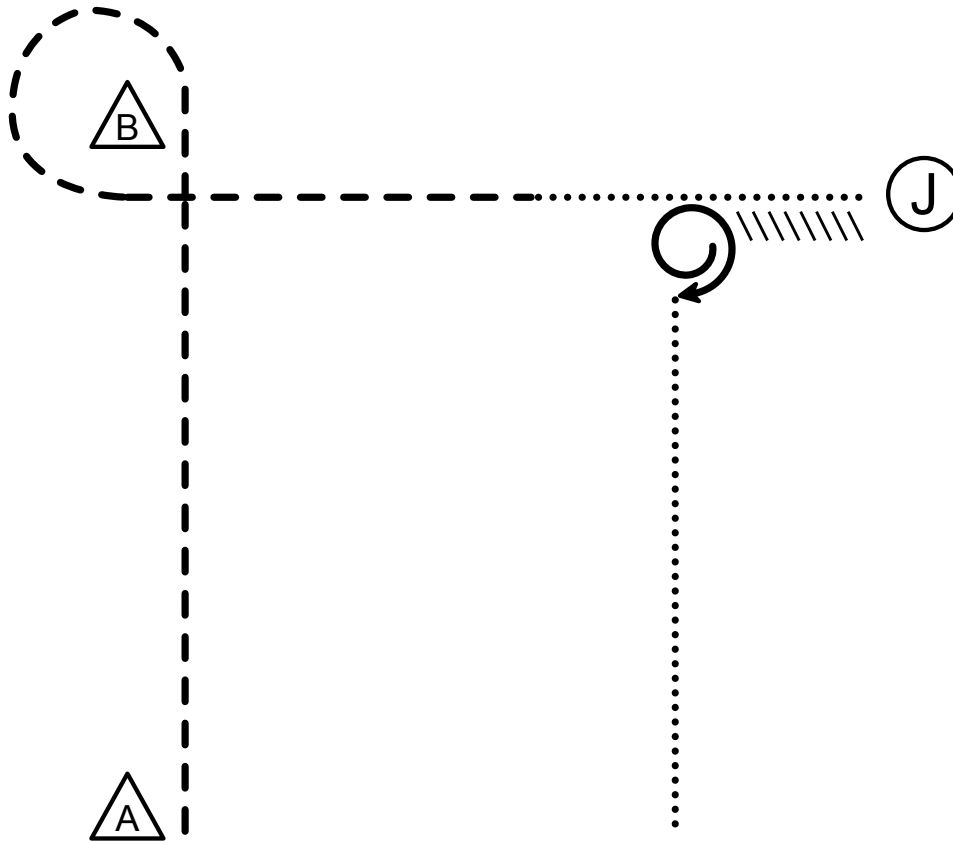
Showmanship

Show: Summa In The Hamptons

Date: Aug 12, 2023

Age Divisions

48. Novice Amateur
52. Youth 13 & Under
46. All Breed Youth
51. Novice Youth
47. All Breed Adult



Pattern design by NULL

Be ready at A

1. Trot from A to B
2. Trot a tight circle around B
3. Continue to trot halfway to judge
4. Break to a walk and walk to judge
5. Stop and set up for inspection.
6. When dismissed, back approximately one horse length
7. Perform a 1 1/4 turn and walk away

Follow the instructions of your ring steward

Generated from Equiscribe for iOS
Scan the code to see your results as they are posted

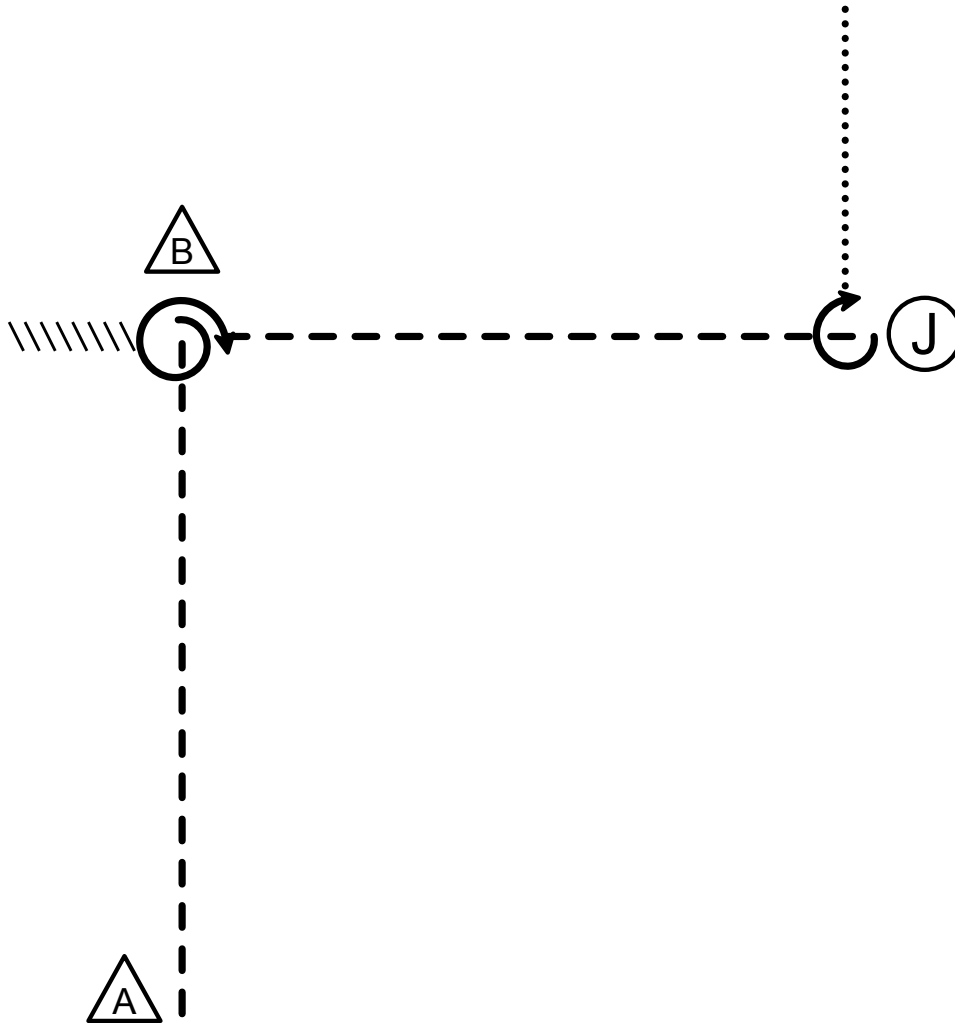


Showmanship

Age Divisions
49./50. Am & Am SPD
53. Youth 18 & Under

Show: Summa In The Hamptons

Date: Aug 12, 2023



Pattern design by NULL

Be ready at A

1. Trot to B
2. Stop and perform a $1^{\circ} 1/4^{\circ}$ turn
3. Back approximately one horse length
4. Trot to judge
5. Stop and set up for inspection
6. When dismissed, perform a $3/4^{\circ}$ turn and wlk straight away from judge

Follow the instructions of your ring steward

Generated from Equiscribe for iOS
Scan the code to see your results as they are posted



English Equitation

Show: Summa In The Hamptons

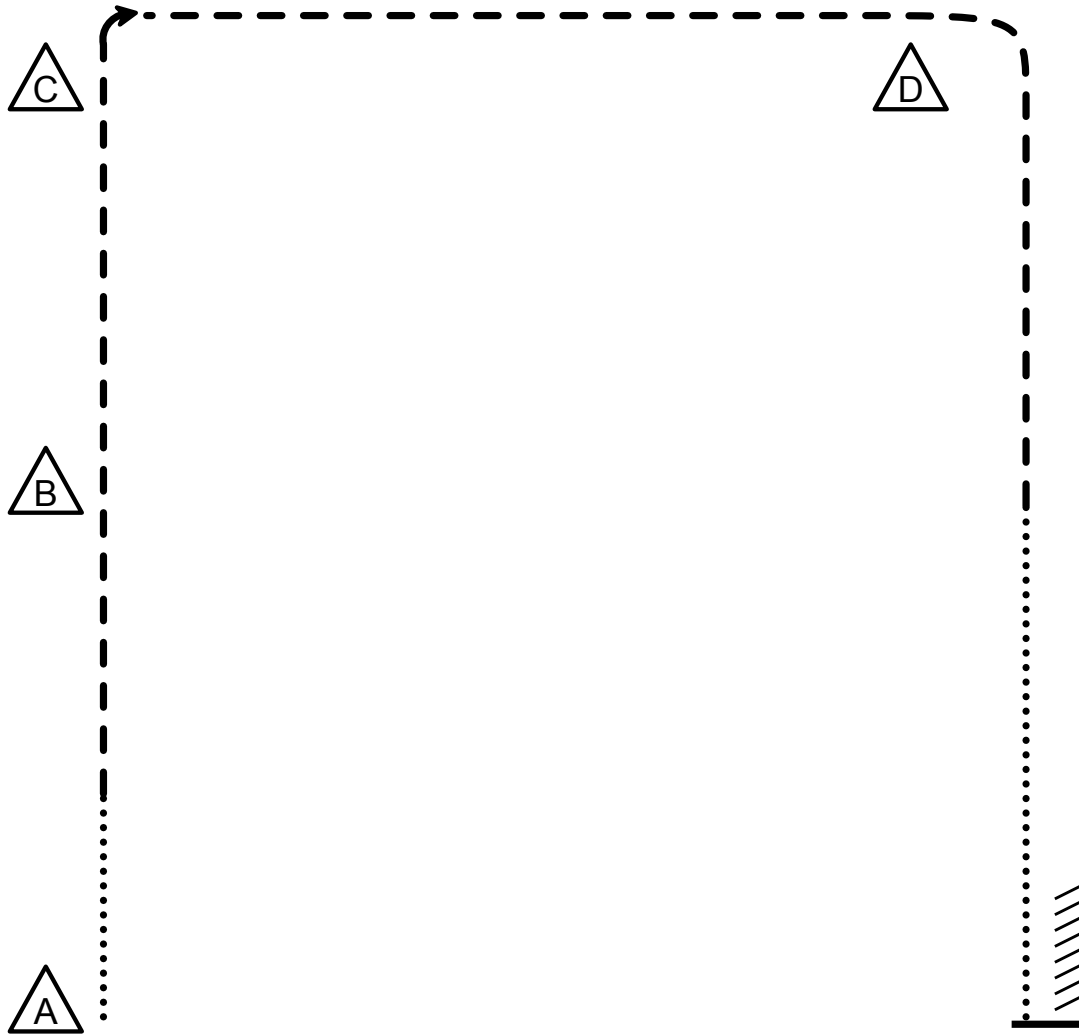
Date: Aug 12, 2023

Age Divisions

77. Amateur W/T

76. Youth W/T 11-18

75. Youth W/T 5-10



Be ready at A

1. Walk two horse lengths from A
2. Posting trot on the right diagonal to C
3. Stop at C and perform a 90° turn on the hindquarters to the right
4. Trot on the left diagonal to and around D
5. When even with B, begin to walk
6. Stop when even with A and back approximately one horse length

Walk away from D and follow the instructions of your ring steward

*Generated from Equiscribe for iOS
Scan the code to see your results as they are posted*

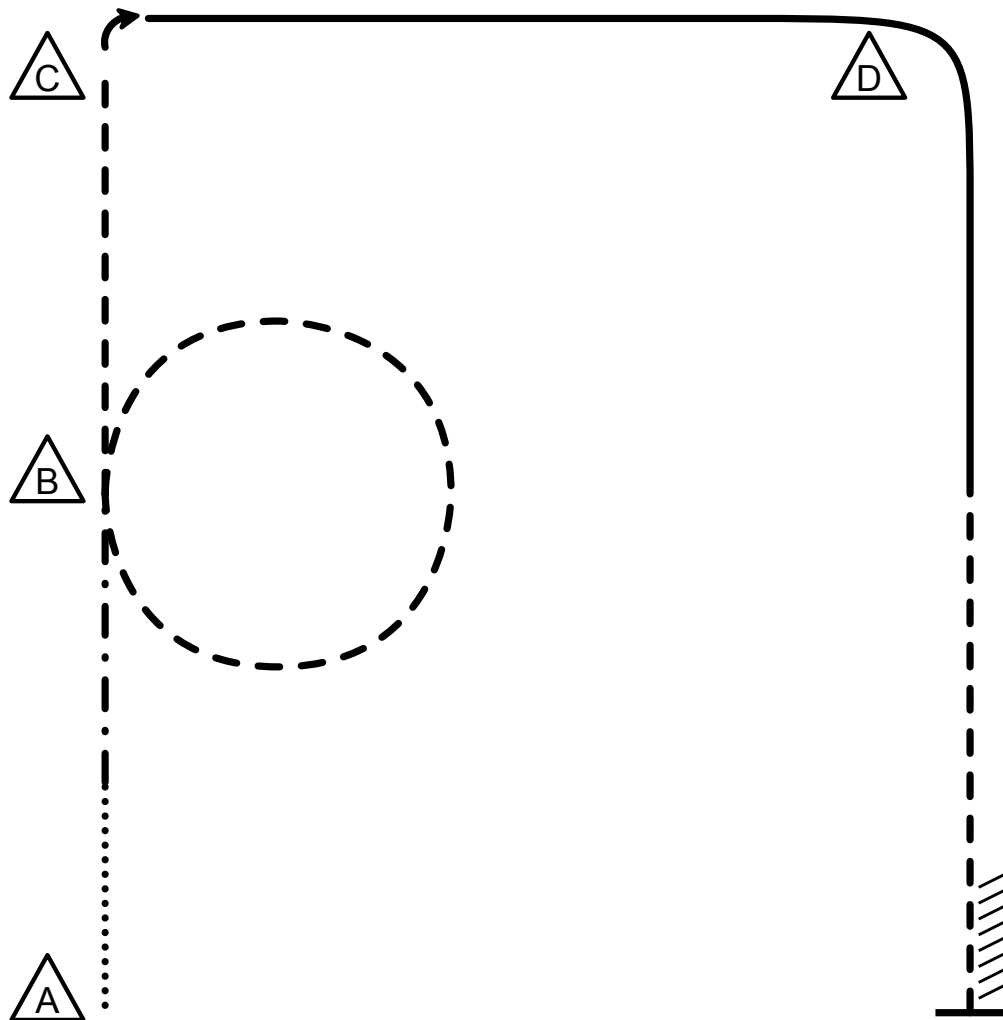


English Equitation

Age Divisions
83. Novice Amateur
81. Youth 13 & Under
80. Novice Youth

Show: Summa In The Hamptons

Date: Aug 12, 2023



Be ready at A

1. Walk two horse lengths from A
2. Sitting trot to B
3. At B, trot a circle to the right on the left diagonal
4. Continue trot to C
5. Stop at C and perform a 90° turn on the hindquarters to the right
6. Canter on the right lead to and around D
7. When even with B, begin a posting trot on the right diagonal
8. Stop when even with A and back approximately one horse length

Walk away from D and follow the instructions of your ring steward

Generated from Equiscribe for iOS
Scan the code to see your results as they are posted

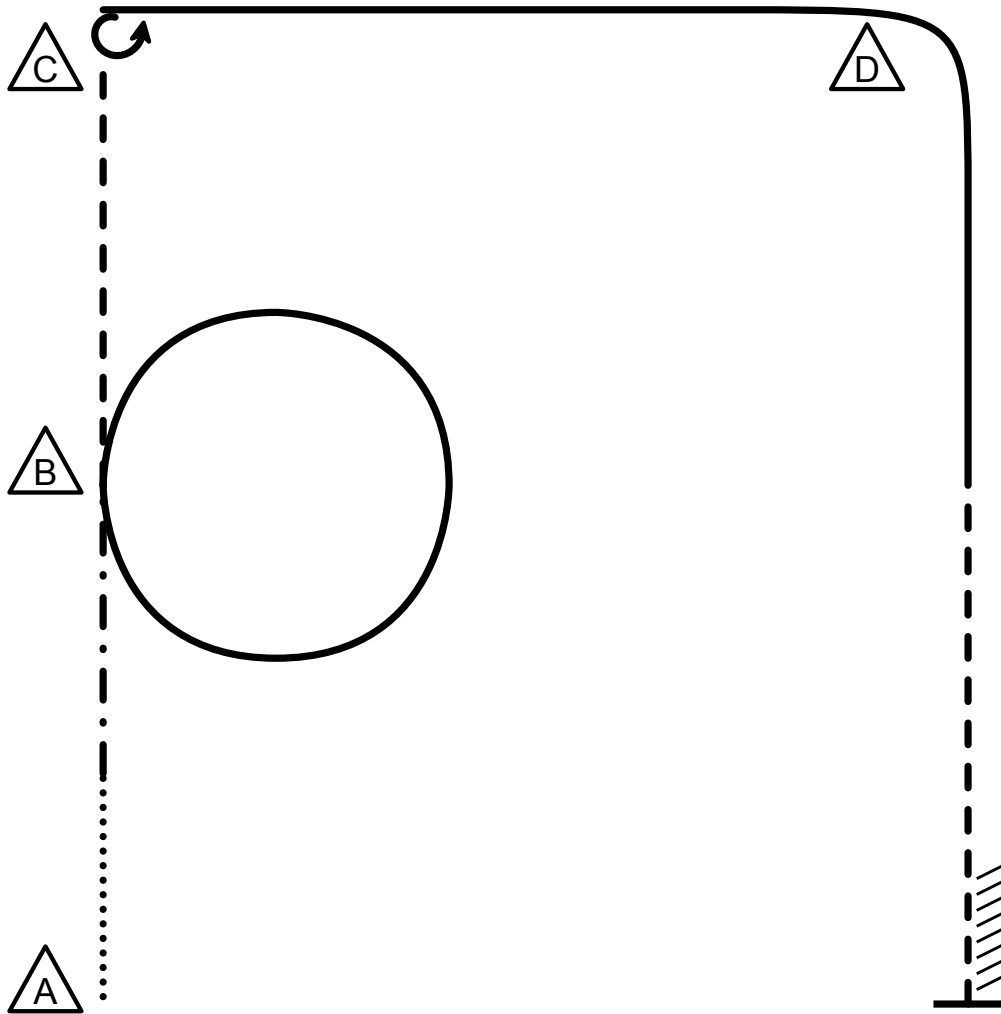


English Equitation

Age Divisions
82. Youth 18 & Under
84. Amateur

Show: Summa In The Hamptons

Date: Aug 12, 2023



Pattern design by NULL

Be ready at A

1. Walk two horse lengths from A
2. Sitting trot to B
3. At B, canter circle right
4. Trot left diagonal to C
5. Stop at C and perform a 270° turn on the forehand to the left
6. Canter on the right lead to and around D
7. When even with B, begin a posting trot on the right diagonal
8. Stop when even with A and back approximately one horse length

Walk away from D and follow the instructions of your ring steward

*Generated from Equiscribe for iOS
Scan the code to see your results as they are posted*



Reining

Age Divisions

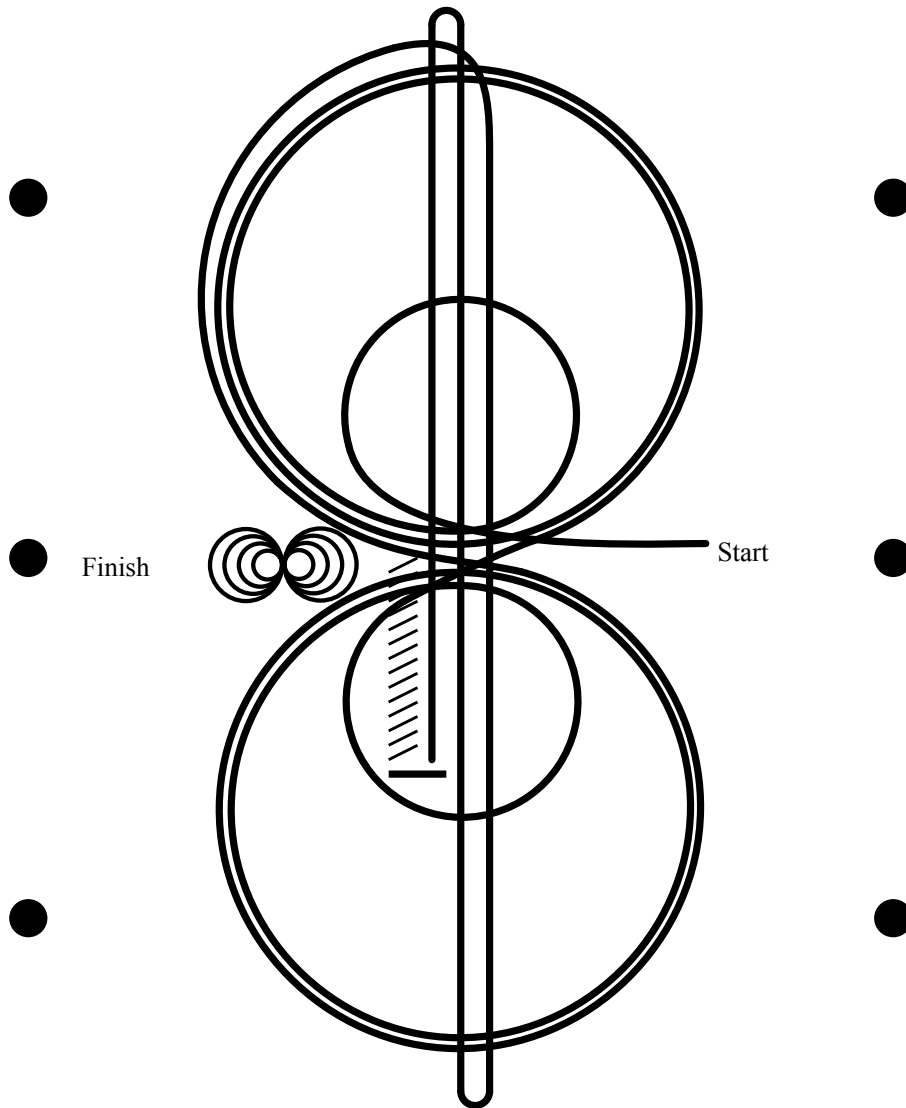
92. Amateur

91. Youth

93. Open

Show: Summa In The Hamptons

Date: Aug 12, 2023



1. Beginning on the right lead, complete three circles to the right: the first circle small and slow.
2. Complete three circles to the left: the first circle small and slow; the next two circles.
3. Continue around previous circle to the right. At the top of the circle, run down the middle.
4. Run up the middle to the opposite end of the arena past the end marker and do a left rump stop.
5. Run past the center marker and do a sliding stop. Back up to the center of the arena.
6. Complete four spins to the right.
7. Complete four spins to the left. Hesitate to demonstrate the completion of the pattern.

Rider may drop bridle to the designated judge.

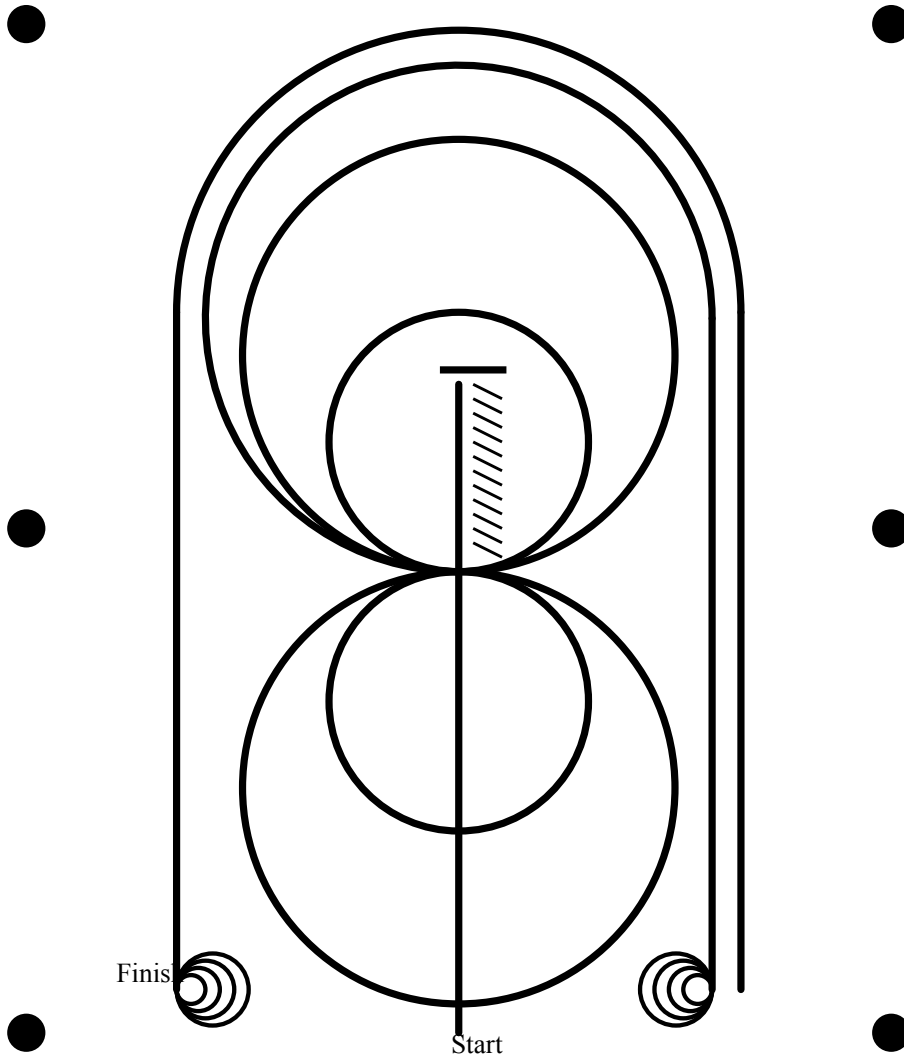
Generated from Equiscribe for iOS
Scan the code to see your results as they are posted



Ranch Reining

Age Division
94. Qr gp

Show: Summa In The Hamptons
Date: Aug 12, 2023



Horse must walk or stop prior to starting pattern. Beginning at the center of the arena fa

1. Start at end of arena. Run past center marker. Sliding Stop.
2. Back at least 10 feet to center. $\frac{1}{4}$ turn left.
3. Complete two circles right: the first circle large and fast; the second small and slow. C
4. Complete two circles left: the first circle large and fast; the second small and slow. C
5. Begin a large fast circle to the right but do not close it. Run around the end of the are
6. Complete $3\frac{1}{2}$ spins right
7. Run back around end of arena past center marker and sliding stop.
8. Complete $3\frac{1}{2}$ spins left
9. Hesitate to complete pattern

Rider may drop bridle to the designated judge.

Generated from Equiscribe for iOS
Scan the code to see your results as they are posted



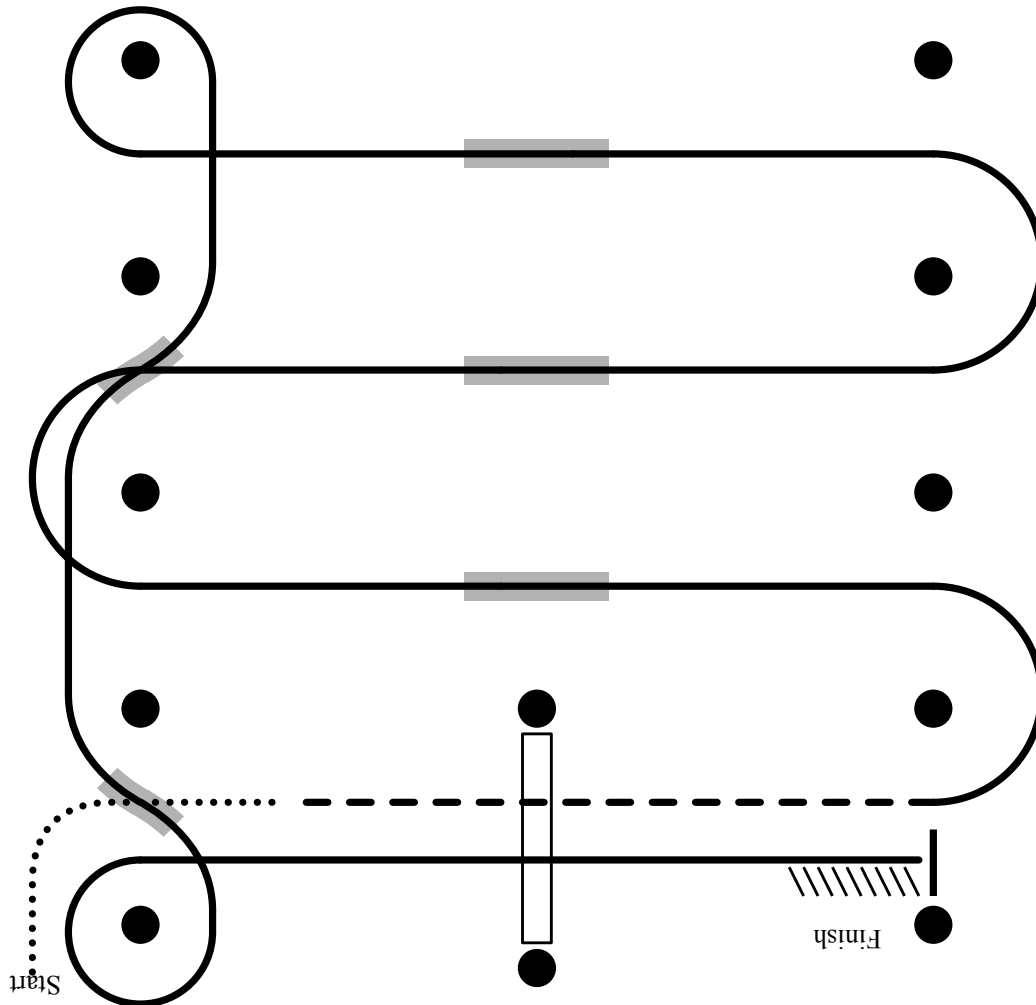
Western Riding

Age Divisions

95. Green
96. Youth

Show: Summa In The Hamptons

Date: Aug 12, 2023



1. Walk, transition to jog, jog over log
2. Transition to left lead lope
3. First crossing change
4. Second crossing change
5. Third crossing change
6. circle and first line change
7. Second line change and circle
8. Lope log
9. Stop and back

Generated from Equiscribe for iOS
Scan the code to see your results as they are posted



Ranch Trail

Show: Summa In The Hamptons

Date: Aug 12, 2023

Age Divisions

105. Youth

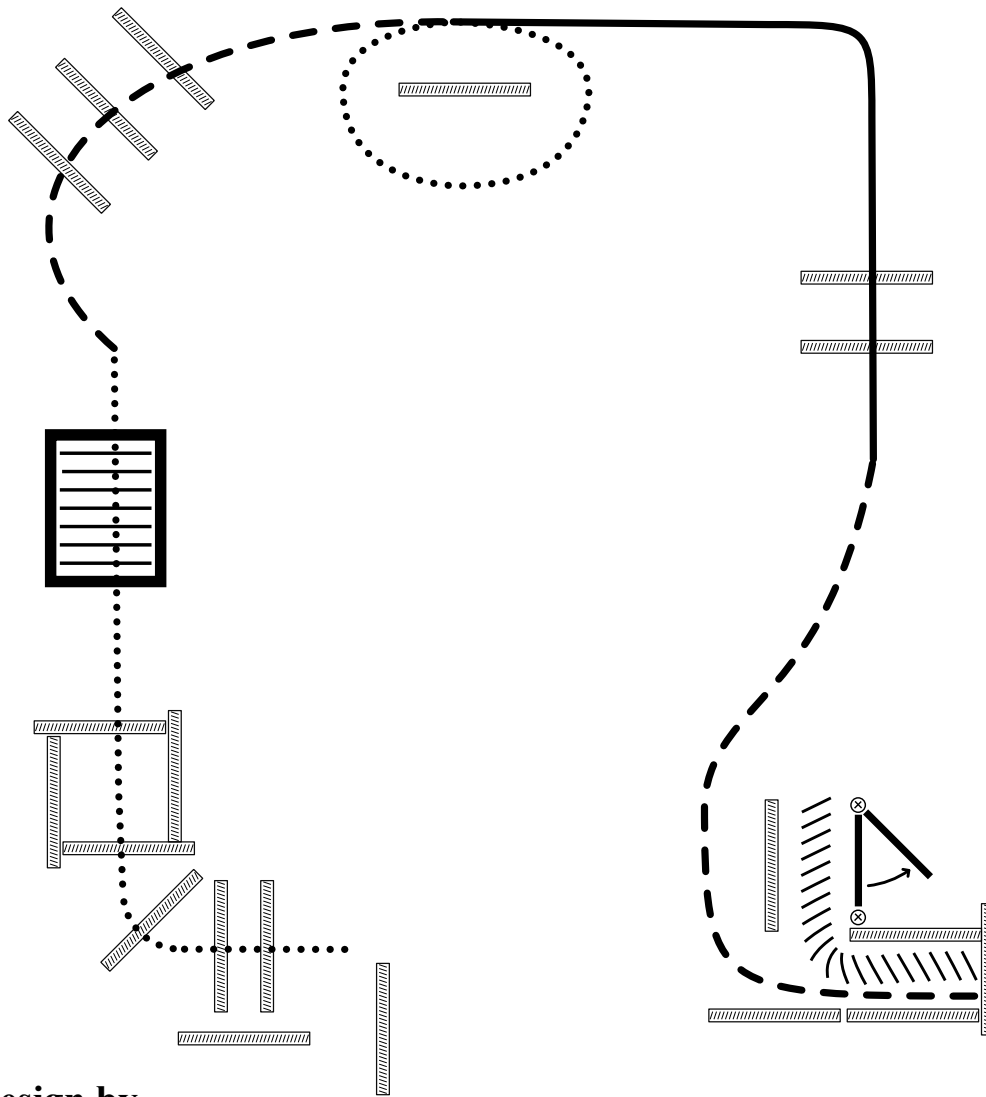
103. Novice Youth

111. All Breed

109. Amateur

107. Novice Amateur

99. & 100. Open & Open



Pattern design by

1. Sidepass right over pole
2. Walk over poles
3. Walk over bridge
4. Trot over poles to log drag
5. Amateur & Open riders drag log at a walk, all others walk circle without drag
6. Lope right lead over poles
7. Trot into chute
8. Back L to gate
9. Left hand gate and exit

Generated from Equiscribe for iOS
Scan the code to see your results as they are posted

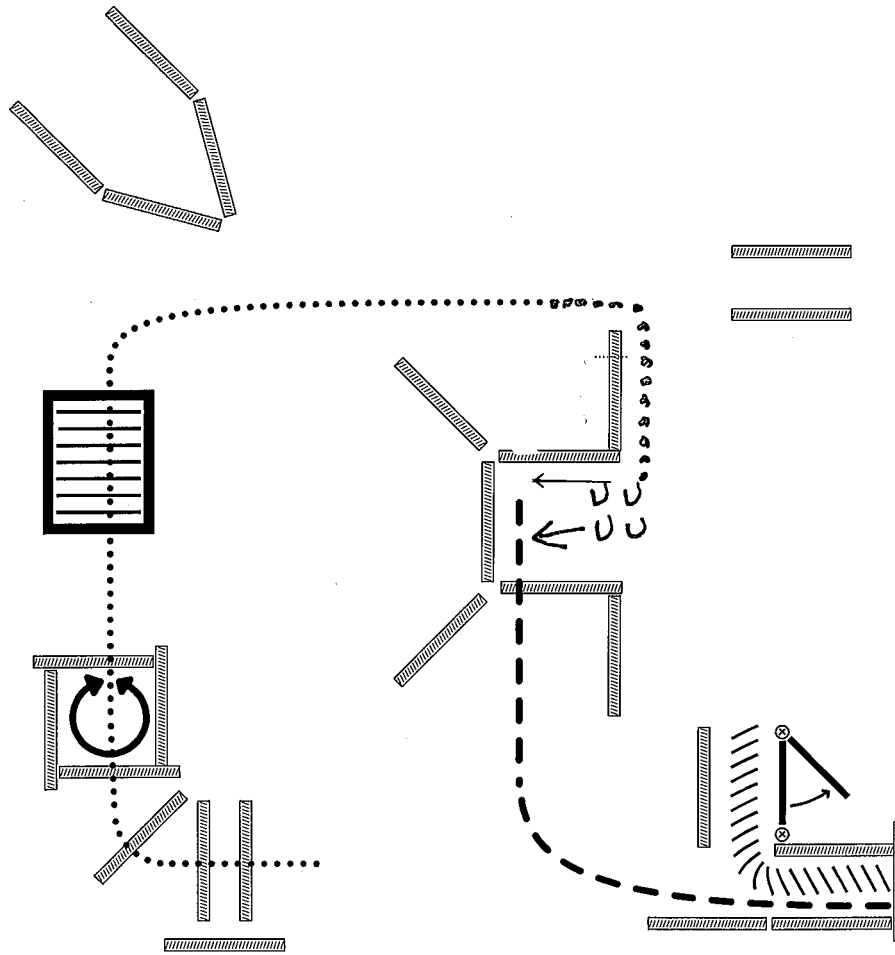


Trail

Show: Summa In The Hamptons
Date: Aug 12, 2023

Age Divisions

115. Two Year Old In Hand
113. Yearling In Hand
116. Amateur Two Year Old
114. Amateur Yearling In



1. Walk over poles and into box
2. 360° either direction
3. Walk out of box and over bridge
4. Sidepass right
5. Trot over poles
6. Trot into chute
7. Back L to gate
8. Left hand gate and exit

Generated from Equiscribe for iOS
Scan the code to see your results as they are posted



Trail

Show: Summa In The Hamptons

Date: Aug 12, 2023

Age Divisions

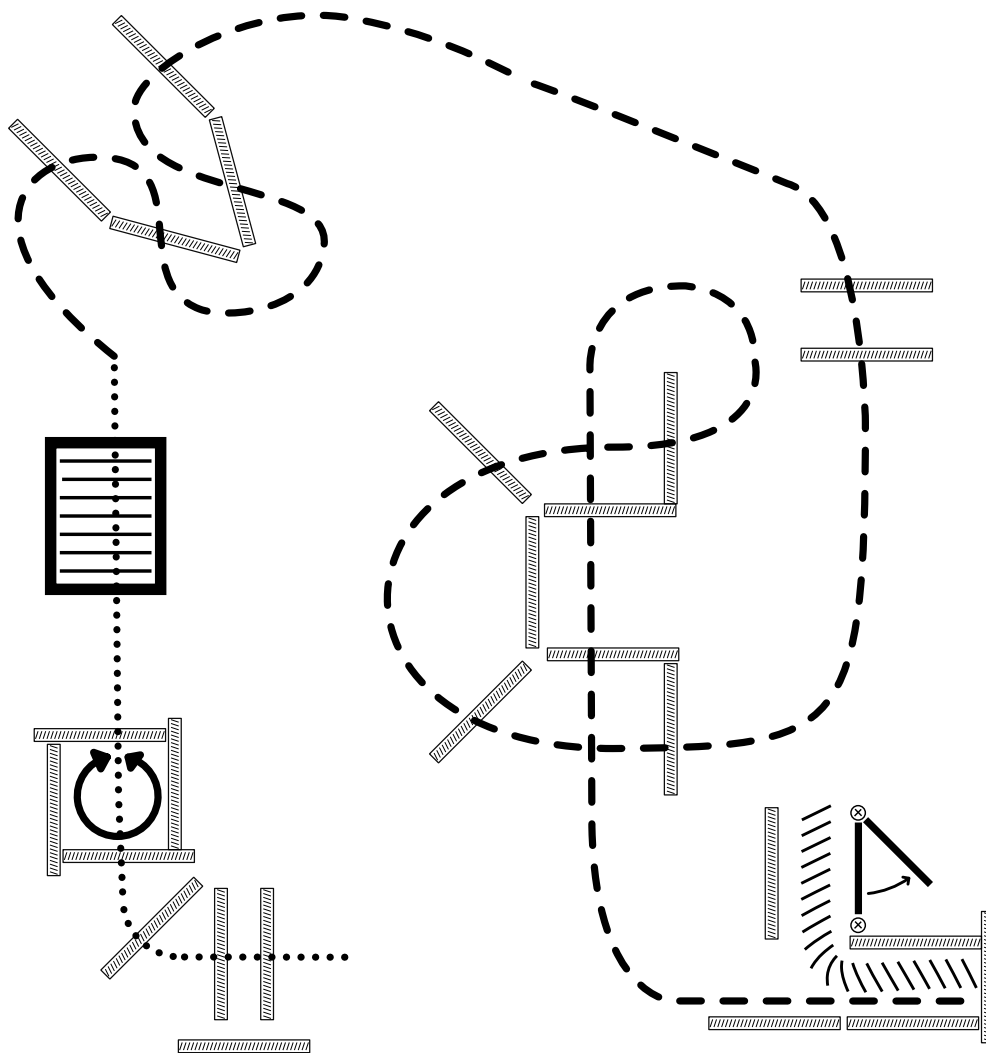
117. All Breed Youth W/T

119. Youth W/T 5-10

121. Amateur W/T

120. Youth W/T 11-18

118. All Breed Adult W/T



1. Walk over poles and into box
2. 360° either direction
3. Walk out of box and over bridge
4. Trot serpentine over poles
5. Trot over poles
6. Back L to gate
7. Left hand gate and exit

Generated from Equiscribe for iOS
Scan the code to see your results as they are posted



Trail

Age Divisions

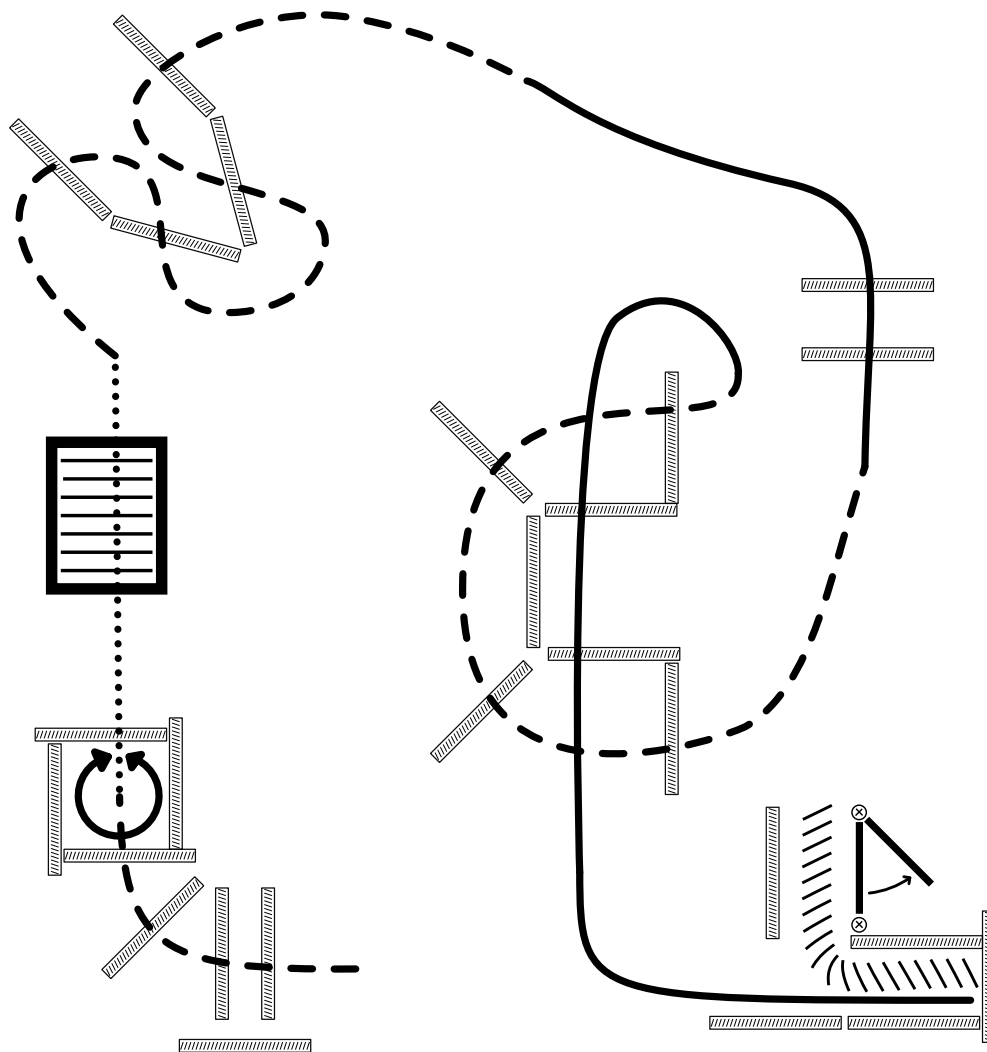
127. Youth 18 & Under

130. & 131. Open & Open

128. & 129. Amateur & Amateur

Show: Summa In The Hamptons

Date: Aug 12, 2023



Pattern design by

1. Trot over poles and into box
2. 360° either direction
3. Walk out of box and over bridge
4. Trot serpentine over poles
5. Lope right lead over poles
6. Trot over poles
7. Lope left lead over poles
8. Lope into chute
9. Back L to gate
10. Left hand gate and exit

Generated from Equiscribe for iOS
Scan the code to see your results as they are posted



Horsemanship

Show: Summa In The Hamptons

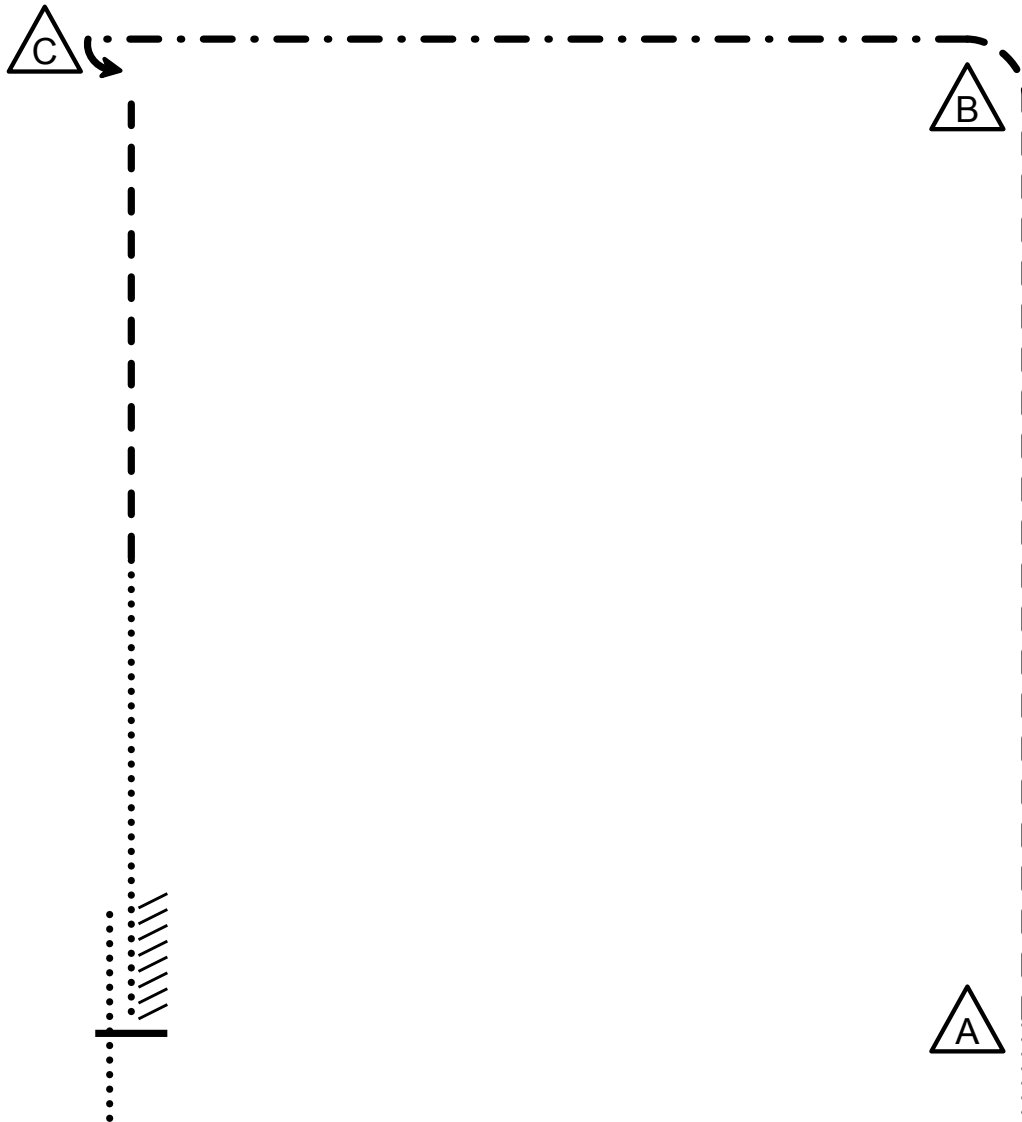
Date: Aug 12, 2023

Age Divisions

151. Amateur W/T

150. Youth W/T 11-18

149. Youth W/T 5-10



Be ready at A

1. Walk one horse length to A
2. Jog to and around B
3. Extended jog to C
4. Turn 90° left
5. Jog halfway to A
6. Walk until even with A
7. Stop and back 4 steps
8. Walk to exit

Generated from Equiscribe for iOS
Scan the code to see your results as they are posted

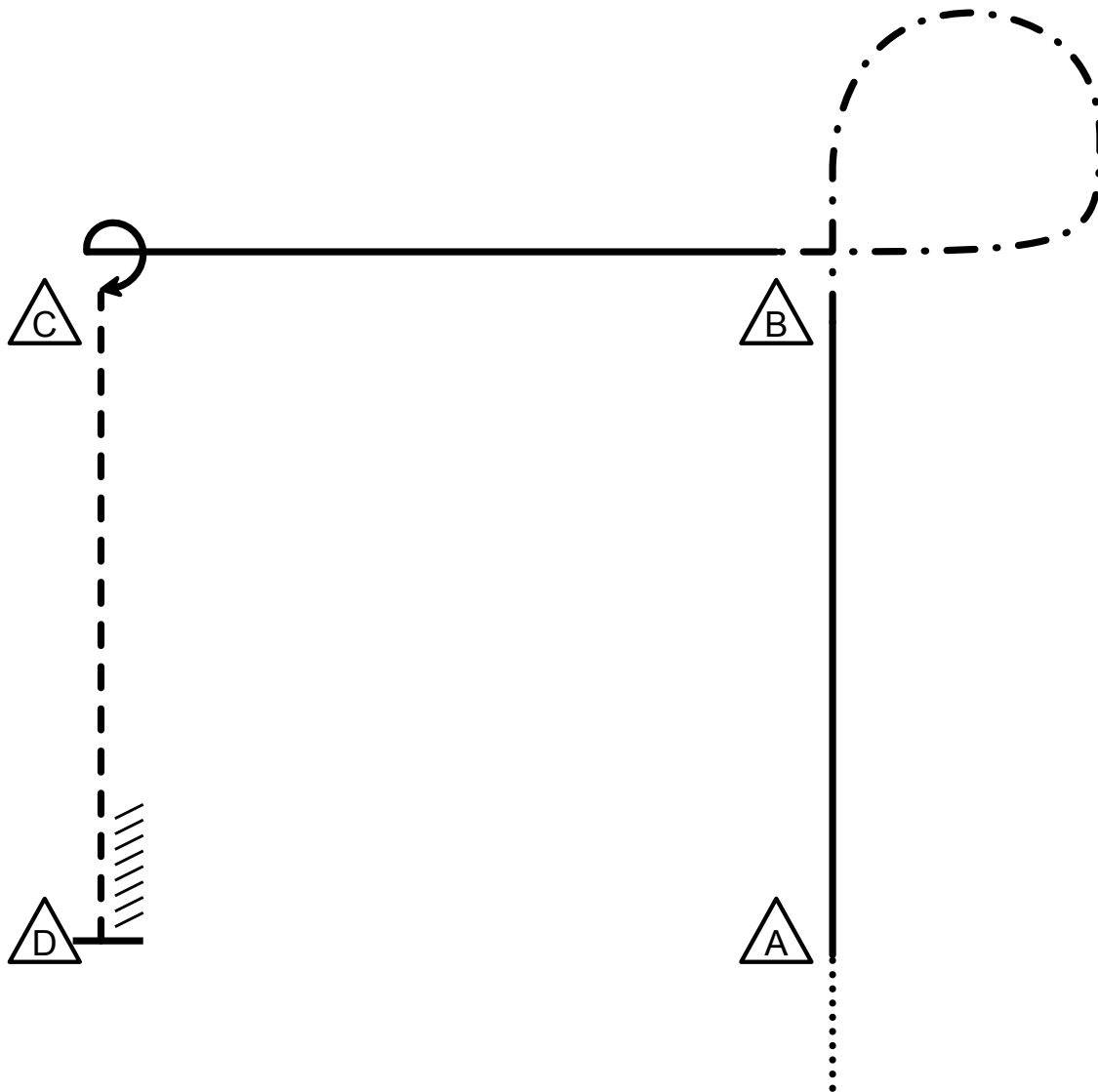


Horsemanship

Show: Summa In The Hamptons

Date: Aug 12, 2023

Age Divisions
155. Youth 13 & Under
154. Novice Youth
156. Novice Amateur



Pattern design by NULL

1. Walk to A
2. Lope on the right lead to B
3. At B extend the jog in a circle to the right
4. At B lope on the left lead to C
5. At C stop and perform a 270° turn to the right
6. Jog to D
7. At D stop and back 4 steps

Generated from Equiscribe for iOS
Scan the code to see your results as they are posted

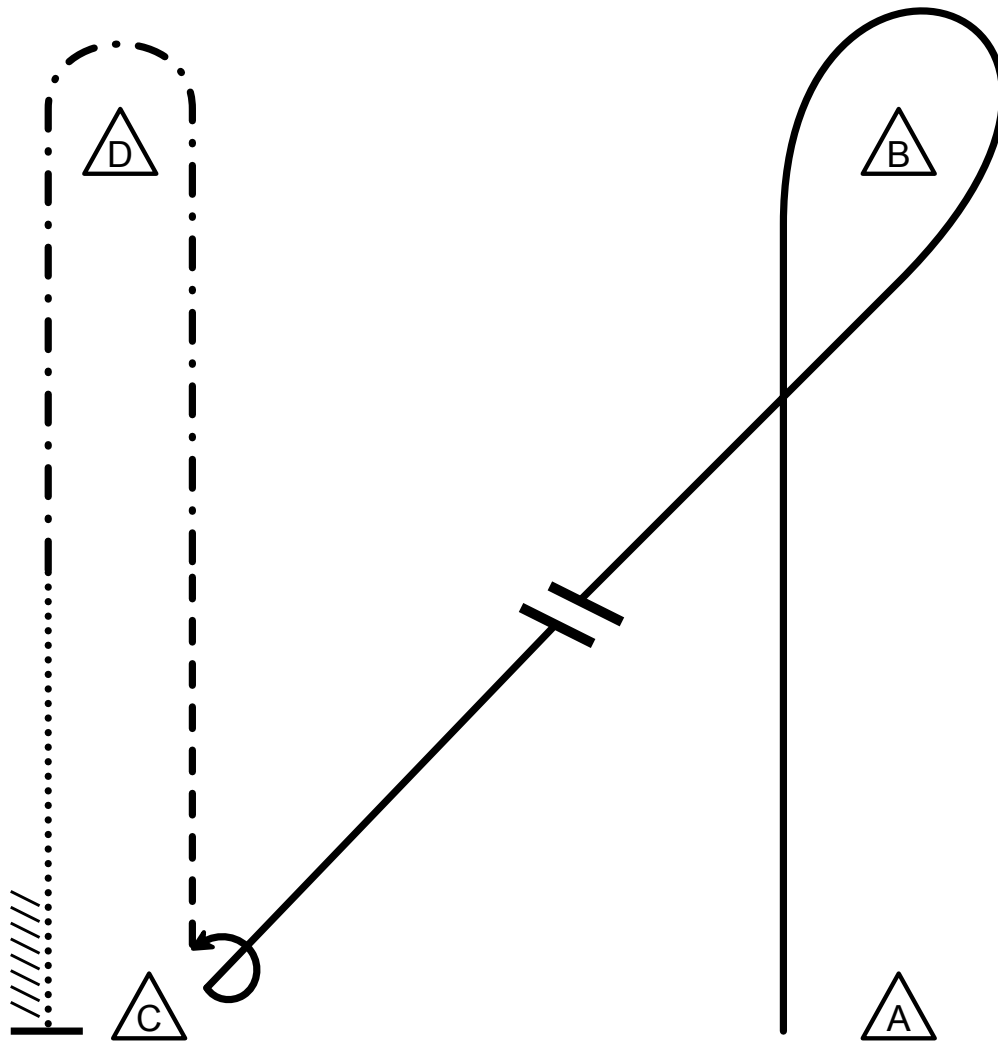


Horsemanship

Age Divisions
158./159. Am^{III} & Am^{SPB}
157. Youth 18 & Under

Show: Summa In The Hamptons

Date: Aug 12, 2023



Be ready at A

1. Lope on the right lead from A to and around B
2. Halfway to C, perform a simple lead change
3. Lope to C
4. Stop and perform a 270° turn to the left
5. Jog halfway to D
6. Extend the jog to and around D
7. Halfway to C, break to a walk
8. Stop at C and back approximately one horse length

Follow the instructions of your ring steward

Generated from Equiscribe for iOS
Scan the code to see your results as they are posted

